

Electronic Demand Condensate Drain Traps

Eco-Drain Series



Remove Condensate

Condensate is a natural by-product of compressed air. Mostly water, it also contains oils, dirt, and other material. If left in your air system, it will contaminate products and cause equipment malfunction. KAESER Eco-Drains automatically remove condensate from aftercoolers, filters, dryers, tanks, and air lines. Unlike manual valves and timed solenoids, Eco-Drains ensure that condensate does not build up in your system. They sense when liquid is present and automatically discharge it; they only open when condensate is present, ensuring costly compressed air is not lost.

Accurate Electronic Control

A capacitance sensor monitors condensate levels in the drain and activates the Eco-Drain's solenoid, eliminating compressed air losses. Eco-Drains feature LEDs that

indicate power, valve and alarm status, as well as a test button to manually check drain operation. Dry contacts enable remote monitoring and alarm functions.

Reliable Components

Eco-Drains' rugged cast aluminum housing and superior diaphragm valve technology ensure many years of reliable service. Other drains are configured with valves placed in direct contact with contaminated condensate, which clogs control lines and disrupts solenoid movement. In Eco-Drains, a patented pilot air control design separates the working components from the condensate chamber, providing worry free operation and high reliability.

Series Features:

- Capacitance sensor activates the solenoid only when liquid is present
- Only clean compressed air is used to control the valve
- Large discharge prevents emulsification
- Automatically attempts to clear discharge line blockages
- LED indicators for power on, valve operation, and blockage alarm (except Eco-Drain 30 model)
- Function test button
- 6-foot power cord with 3-prong plug
- Dry contacts for central alarm signaling are standard on most models
- 30, 31, and 32 models have quick change maintenance modules

Technical Specifications

Model	Maximum Capacity (cfm)			Pressure Min / Max (psig)	Temp. Min / Max (°F)	Inlet Connection Size NPT (in.)	Condensate Discharge Size (in.)	Weight (lb.)	
	Compressor	Dryer	Filter*						
Eco-Drain 30	100	200	1000	12 / 230	34 / 140	1/2	1/4	1.8	
Eco-Drain 31	225	450	2250					2.2	
Eco-Drain 32	500	1000	5000			3 x 1/2	1/2	3.6	
Eco-Drain 13	1200	2500	12,300					2 x 1/2	4.4
Eco-Drain 14	5300	10,500	53,000					3 x 3/4	6.4

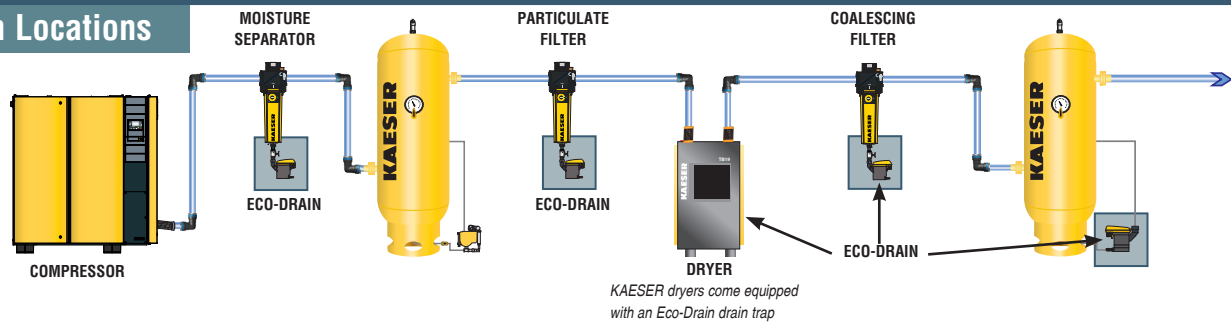
Electrical supply: 115V / 1 Ph / 60 Hz

* downstream of the dryer

NOTE: High pressure versions available: Eco-Drain 12 for 913 psig MAWP and Eco-Drain 13 for 362 psig MAWP

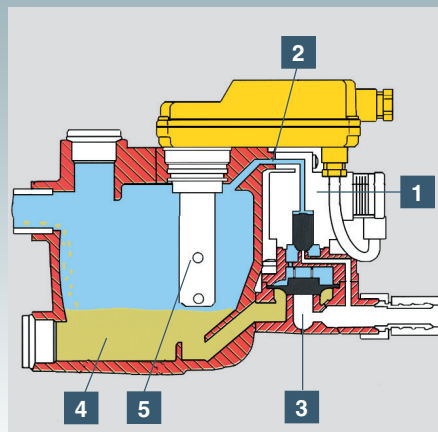
Specifications are subject to change without notice.

Eco-Drain Locations



Operation

A solenoid valve (1) allows clean compressed air (2) to pass and force the diaphragm valve (3) to the closed position. When the collection chamber (4) fills with condensate to a maximum level, the capacitance sensor (5) signals to energize the solenoid valve, which allows the air above the diaphragm to vent. Condensate is released from the collection chamber and the diaphragm valve closes before air is lost.



Easy Maintenance

Maintenance for Eco-Drains is quick and simple: just replace the snap-in service module and discard the old one. Maintenance for Eco-Drains 13 and 14 consists of replacing wear items. All replaceable items are contained in a simple kit for each drain model.



Eco-Drain 30, 31, and 32



Kaeser Compressors, Inc.
511 Sigma Drive
Fredericksburg, VA 22408 USA
Telephone: 540-898-5500
Toll Free: 800-777-7873
info.usa@kaeser.com

Kaeser Compressors Canada Inc.
3760 La Vérendrye Street
Boisbriand, QC J7H 1R5 CANADA
Telephone: (450) 971-1414
Toll free: (800) 477-1416
info.canada@kaeser.com

Kaeser Compresores de México S de RL de CV
Calle 2 #123
Parque Industrial Jurídica
76100 Querétaro, Qro.
Telephone: 01 (442) 218 64 48
sales.mexico@kaeser.com

Kaeser Compresores de Guatemala y Cia. Ltda.
3a calle 6-51, zona 13
Colonia Pomplona
01013-Guatemala City
Telephone: +502 2412-6000
info.guatemala@kaeser.com