

KAESER
COMPRESSORS®

Built for a lifetime.



Screw Compressors

HSD Series (500 - 700 hp)

Capacities from: 1653 to 3044 cfm

Pressures from: 80 to 217 psig

kaeser.com

HSD Series

Built for a lifetime.™

KAESER's HSD compressors are engineered to be the cornerstone of any demanding industrial application requiring large volumes of air. Each HSD contains two independently operating compressors in a single enclosure. These innovative water-cooled compressor packages provide the energy efficiency of load splitting in a much smaller footprint than two separate compressors of equal capacity. Because each module is a complete compressor, you have all the benefits of built-in redundancy coupled with lower installation costs.

Innovation you can trust

With a cutting edge research and development team committed to building industry-leading products, KAESER continues to deliver better solutions to meet our customers' compressed air needs. KAESER's expertise and world-wide reputation for superior reliability and efficiency offer great performance and peace of mind.

Rugged reliability

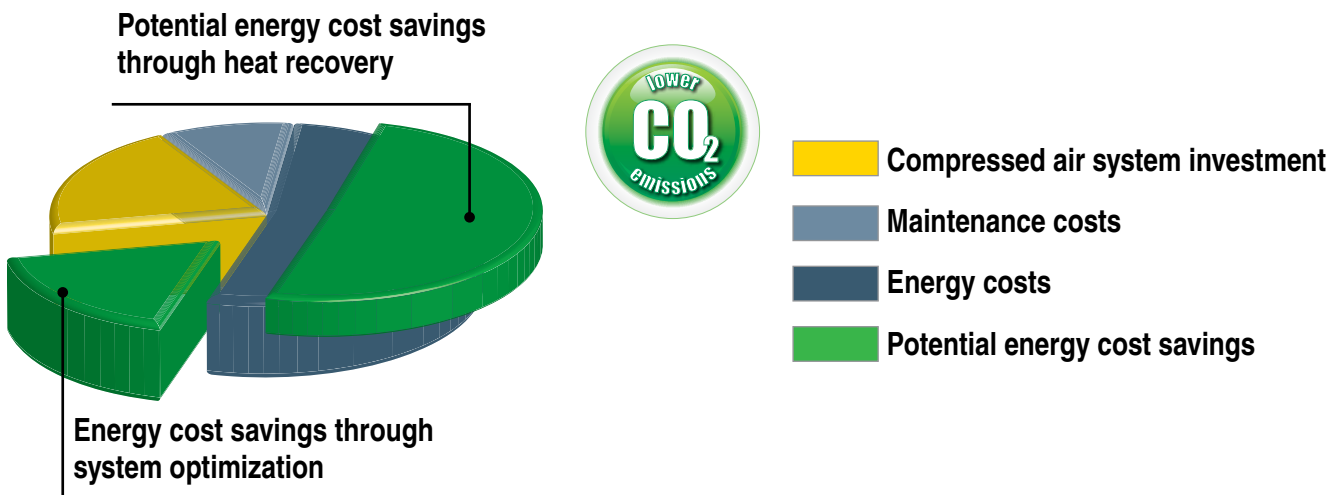
KAESER's screw compressors meet our rigorous "built for a lifetime" standard. Designed and built with KAESER's generations of manufacturing experience, you can rest assured that these compressors will continue to deliver the air you need with the exceptional reliability you expect from a KAESER compressor.

Service-friendly

From the ground up, these compressors have been designed with the user in mind. Fewer wearing parts and using premium quality materials ensure reduced maintenance requirements, longer service intervals, and extended service life. A smart component layout with generously sized maintenance doors simplifies service and reduces downtime.

Guaranteed efficiency

In our systems design approach, KAESER chooses the components that work together in the most energy efficient way possible. Each and every component – from inlet filter to discharge flange – has been carefully designed with performance in mind. In fact, the HSD series is up to 18% more efficient than the competition. With KAESER's superior system controls, we guarantee an effective system with lower operating costs.





KAESER

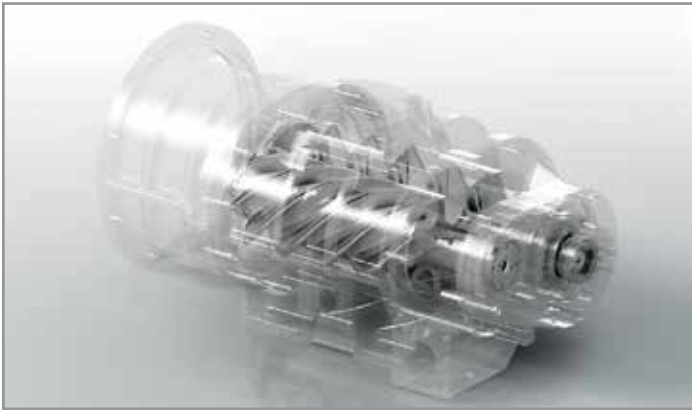
HSD 650 SIGMA

HSD 650 SIGMA

Control panel with two digital displays and a red emergency stop button.

Control panel with two digital displays and a red emergency stop button.

Energy savings in every detail



SIGMA PROFILE® airend

Our single-stage, flooded rotary screw airend delivers pressures up to 217 psig and features our power saving SIGMA PROFILE design. Our airends are precision machined and optimized in size and geometry to match the airend speeds with their best specific performance. Unlike the competition, KAESER makes many different airends so that we can apply them at their optimal speed and performance.



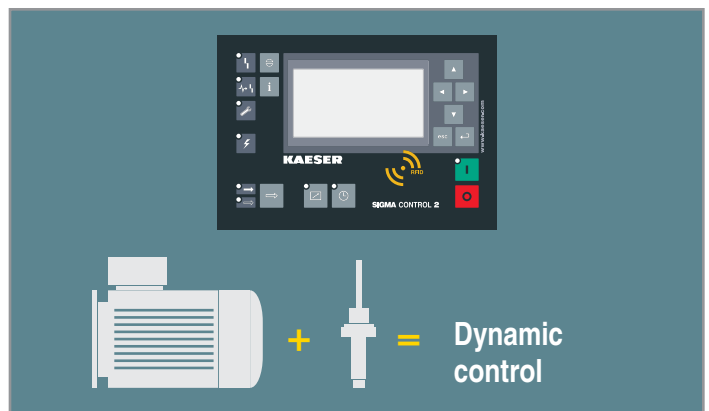
Intelligent control: SIGMA CONTROL® 2

This intelligent controller ensures the most energy efficient compressor operation possible. An RFID sensor provides secure access and simplifies managing maintenance intervals while the SD card slot makes software updates quick and easy. An Ethernet port and built-in web-server facilitate IIoT integration. ModBus, Profinet®, Profibus®, DeviceNet™, and other industrial communications interfaces are available as plug-in options for seamless integration into plant control/monitoring systems.



Super premium efficiency drive motor

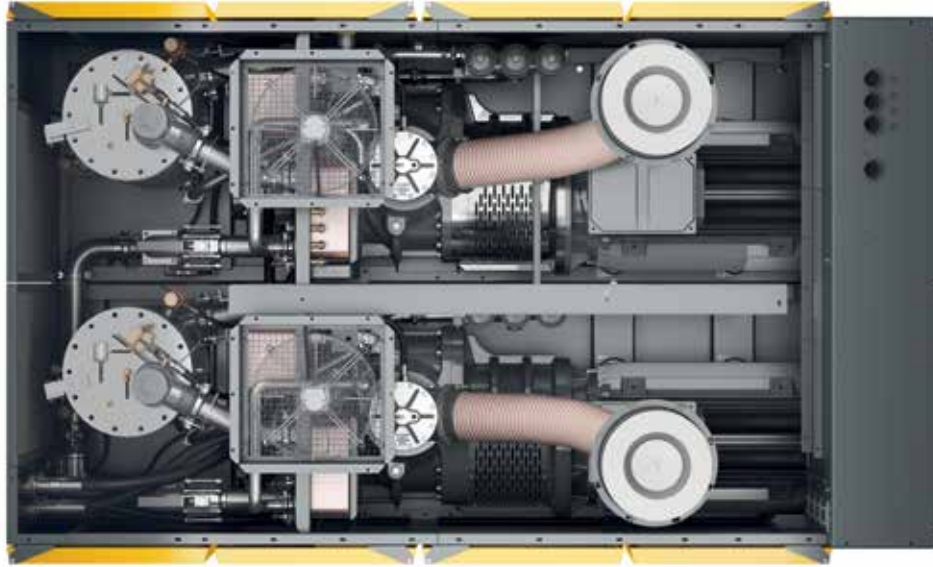
KAESER uses super premium efficiency Totally Enclosed Fan Cooled (TEFC) motors with class F insulation for extra protection from heat and contaminants. Remote grease fittings make maintenance a breeze. Each of the three motor windings is actively monitored through its own Pt100 temperature sensor. Standard voltages are 460 or 575 V (3-phase, 60 Hz). Other voltages are available.



Drive motor with Pt100 sensors

The dynamic control mode feature calculates load time based on the motor winding temperatures, reducing both idling time and energy consumption. For extra flexibility, SIGMA CONTROL 2 offers additional control modes that can be called up at any time.

2-in-1 dependability



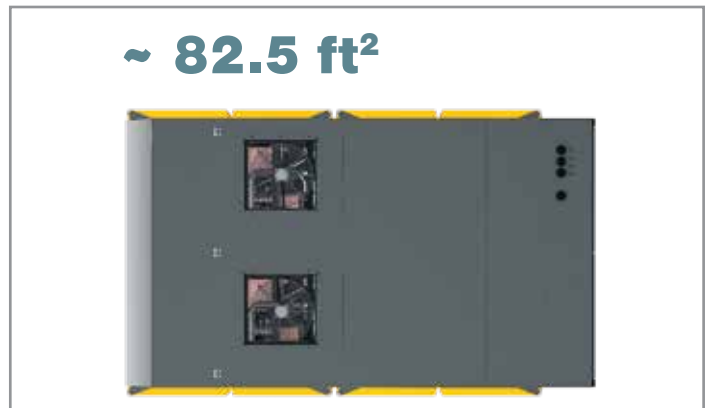
Double reliability and efficiency

Two complete SIGMA PROFILE compressor air ends maximize safety and availability. If one unit is not operating for any reason (e.g. due to maintenance), 50% of the total flow is still available. SIGMA CONTROL 2 adjusts the base/peak load switch-over to actual compressed air demand.



Smart starters

When full flow is needed, the two drive motors start one after the other with a slight delay. This results in a significantly lower load on the plant electrical grid compared to a synchronous start approach.



More compressor, less floor space

Thanks to their water-cooled design, HSD compressors deliver maximum compressor air performance with minimal space requirement. This simplifies the planning process for compressed air systems and reduces the number of required packages—even with high compressed air demand.

Efficiency in the details



Optimized inlet valve

The new flow-optimized design of the inlet valve results in lower pressure loss and simplified service. Eliminating a strong compression spring reduces the wear on gaskets and guides while also increasing service safety.



Integral moisture separator

A moisture separator is integrated into the stainless steel discharge piping. Our unique design maximizes separation with minimal pressure loss—even in high ambient temperatures and humidity. A zero loss Eco-Drain is standard to automatically remove the captured moisture.



Eco-friendly fluid filter

Our eco-friendly fluid filters feature metal-free filter elements in aluminum housings. At the end of their service life, the elements are safe for thermal disposal.



Electronic Thermal Management system

The innovative Electronic Thermal Management (ETM) system included for each compressor unit dynamically regulates fluid temperature to avoid internal condensation build up, eliminating a common cause of lubricant degradation. It ensures a lower, stable operating temperature which extends airend and cooler life and increases energy efficiency. The ETM has an adjustable temperature setting, making it perfectly suited for heat recovery applications.

Service-friendly



Fluid separation system

Our 3-stage separation system ensures very low fluid carry-over (1-3 ppm), and extended filter service life. Our no-leak design features rigid steel piping, flexible connections, and vibration isolators. Each pressure vessel is ASME coded (CRN in Canada) and includes wet side/dry side fittings to check differential pressure, an easy to read fluid level indicator, and our unique quick fluid drain system.

External grease fitting lubrication

The fan and drive motors have external grease fittings for safe and easy lubrication while the compressor is running.

Monitored air inlet filter

SIGMA CONTROL 2 continuously monitors the air inlet filter contamination level. This makes it easy to plan accordingly for the replacement date—based on either operational reliability or maximized economy.

Easy servicing

HSD series rotary screw compressors feature an open package layout as well as a pivoting lid on the separator tank for ease of maintenance. All of the major components are easily accessible, reducing preventive maintenance time by as much as 50% when compared to other similarly sized units.

Water-cooling

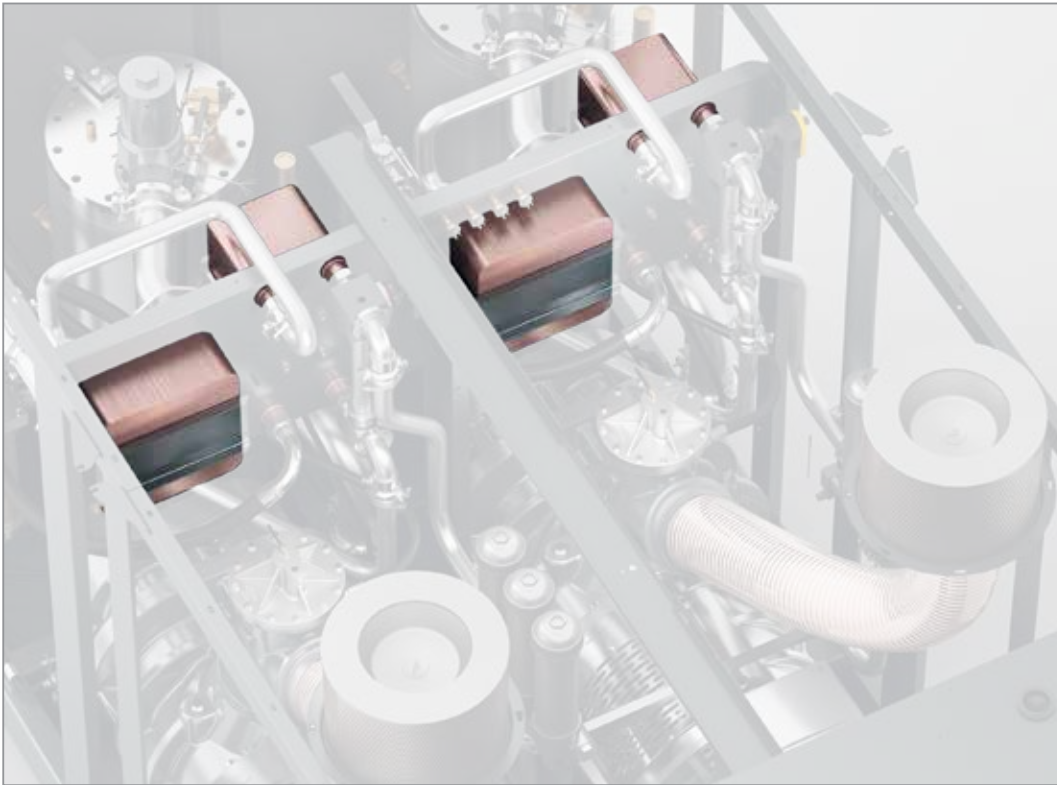
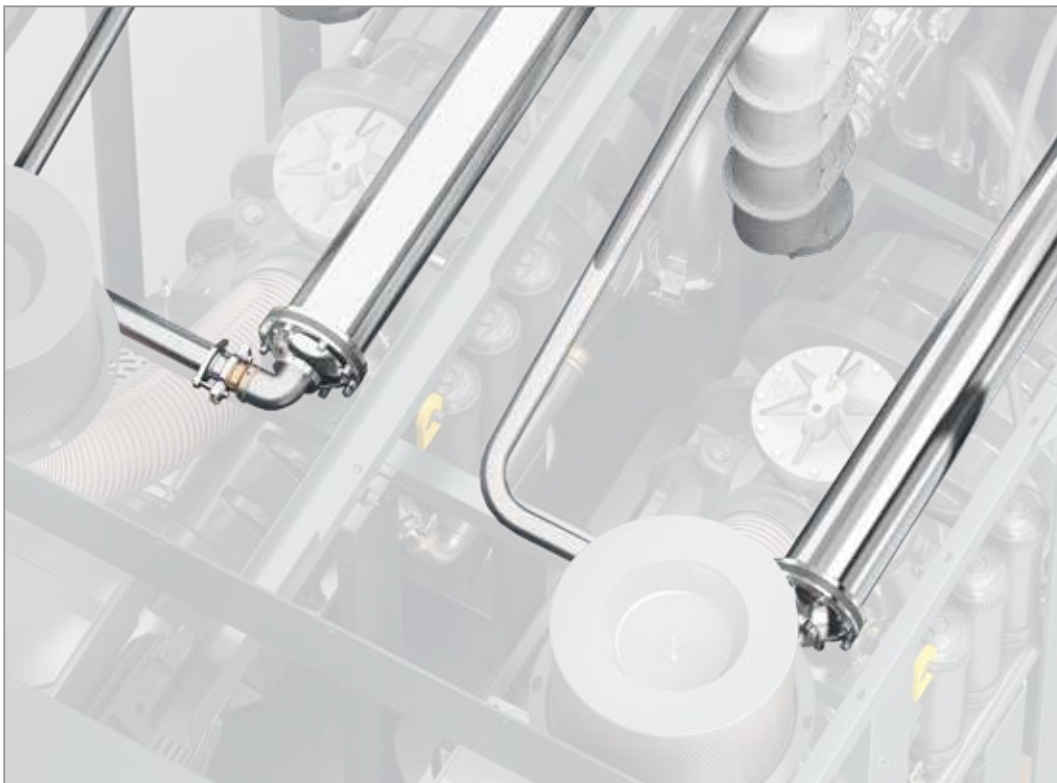


Plate-type heat exchangers (standard)

Stainless steel plate type heat exchangers brazed with copper ensure excellent heat transfer and are corrosion and contamination-resistant.

Plate-type heat exchangers are the perfect choice for applications with a supply of clean cooling water.



Shell and tube heat exchangers (optional)

Shell and tube heat exchangers with copper nickel (CuNi10Fe) tubes are less susceptible to contamination than plate type heat exchangers and are mechanically cleanable. Additionally, the cooler inserts can be easily exchanged.

Shell and tube heat exchangers are sea water resistant, making them appropriate for marine applications. They also have very low pressure drop.

Innovative package design

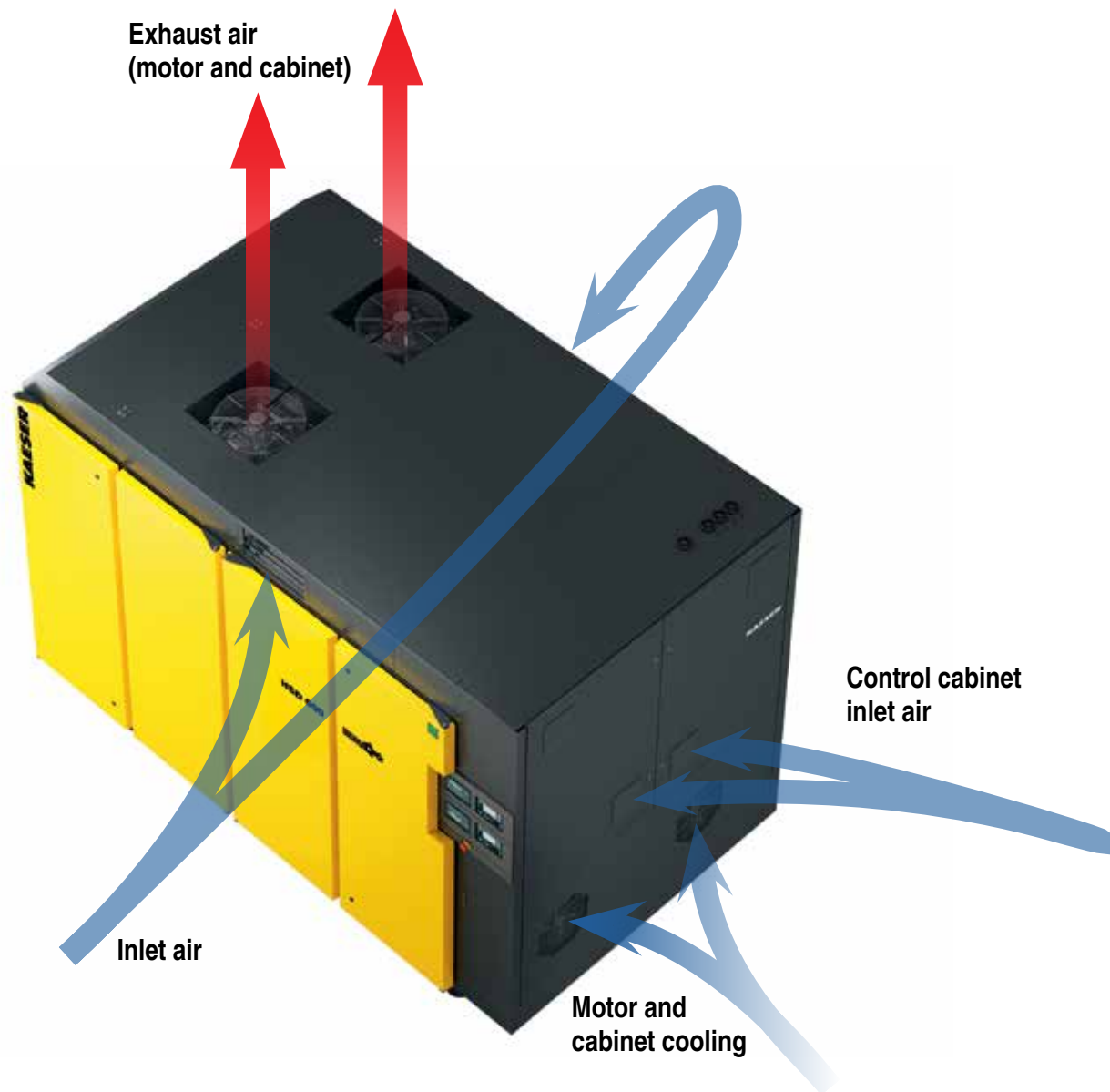
Split cooling zones

The KAESER package design separates inlet air flow from cooling air flows for more efficient compression. Further, drawing ambient air directly across the motors through separate zones eliminates preheating and results in longer service life and cooler running motors and package components. This also applies to the electrical components inside the control panels.

Extremely low sound and vibration

All models come standard with KAESER's superior cabinet that features complete metal enclosures with soundproofing liners and heavy-duty vibration isolation. Using one-to-one direct drive and our unique cooling airflow design with radial fans greatly reduces internal noise and vibration.

As a result, our compressors are about 10 dB(A) quieter than conventional compressors of equal performance with sound levels as low as 73 dB(A).



Benefits at a glance



Exceptional efficiency

KAESER's SIGMA PROFILE airend, high efficiency motors, and direct drive make an extremely efficient system. Combined with the precise control from our SIGMA CONTROL 2 and the system benefits of load splitting in part-load conditions, you can't beat the HSD for energy efficiency.

Lower installation costs

Packaging two compressors into one greatly reduces installation costs. Only one unit to ship and maneuver into place. Only one piping connection. Only one wiring connection.

Lower maintenance cost

KAESER designed the HSD with the same maintenance friendly features as smaller machines:

- Easy access to service items and components
- SIGMA CONTROL 2 provides service reminders and diagnostic information
- External motor grease fittings
- Pressurized fluid change system
- Swiveling separator cover for easier cartridge changes
- Longer service intervals

Small footprint

The HSD's small footprint frees up precious floor space and allows better access for service.

High quality air

The following HSD features minimize oil and moisture in your air:

- Very fine internal filtration
- 3-stage fluid separation
- Super-efficient coolers
- Centrifugal moisture separators
- Automatic condensate drains

Heat recovery



The integrated system comprised of the heat exchanger, thermostatic valve, and complete pipework requires no additional space around the compressor and can recover up to 72% of the overall power consumption of HSD compressors by utilizing the heat in the oil.

Special fail-safe heat exchangers can be used to warm water that meets the highest standards for purity, such as for the food industry.

Up to
96%
usable for heat

100% of the electrical drive energy input to a compressor is converted into heat energy. From that, up to 96% is available for lowering the cost of other processes in your plant that need heated water or other fluids.

Up to
+160 °F

Plate type heat exchanger systems can recover compressor heat to produce hot water or other fluids up to 160 °F. For higher temperature requirements, consult factory.

Heating Plastic Molds

Metal Plating

Industrial Laundry

Pre-heat Steam

Food Processing

Wash Down

Technical specifications

Model	Pressure Range (psig)	Capacity (cfm) (1)	Rated Motor Power (hp)	Dimensions W x D x H (in.)	Weight (lb.) (2)	Sound Level dB(A) (3)
HSD 500	125	2311	500	140½ x 84½ x 92½	16,493	73
	175	1885				
HSD 550	125	2520	550		18,082	74
	175	2062				
	217	1653				
HSD 600	125	2760	650		18,594	74
	175	2266				
	217	1830				
HSD 650	125	3000	700		19,105	75
	175	2471				
	217	2007				

(1) Performance rated in accordance with CAGI/ISO 1217 test code. (2) Weights may vary slightly depending on airend model. (3) Per ISO 2151 using ISO 9614-2.

NOTE: Other pressures available from 80 to 217 psig.

For units with variable frequency drive (SFC), please contact your local authorized KAESER distributor.

Specifications are subject to change without notice.



Kaeser Compressors, Inc.
511 Sigma Drive
Fredericksburg, VA 22408 USA
Telephone: 540-898-5500
Toll Free: 800-777-7873
info.usa@kaeser.com

Kaeser Compressors Canada Inc.
3760 La Vérendrye Street
Boisbriand, QC J7H 1R5 CANADA
Telephone: (450) 971-1414
Toll free: (800) 477-1416
info.canada@kaeser.com

Kaeser Compresores de México S de RL de CV
Calle 2 #123
Parque Industrial Jurídica
76100 Querétaro, Qro.
Telephone: 01 (442) 218 64 48
sales.mexico@kaeser.com

Kaeser Compresores de Guatemala y Cia. Ltda.
3a calle 6-51, zona 13
Colonia Pomplona
01013-Guatemala City
Telephone: +502 2412-6000
info.guatemala@kaeser.com