

KAESER MEASUREMENT TECHNOLOGY

Measure and manage

KAESER MEASUREMENT TECHNOLOGY is a suite of intelligent sensors to continuously monitor key performance indicators throughout the entire compressed air system. Centralized monitoring through the SIGMA AIR MANAGER® 4.0 compressed air management system permits visualization of system performance metrics.

KM AA/A - Ambient Analyzer (Advanced)

Monitors ambient/inlet conditions including temperature, absolute pressure and humidity. These are important factors for performance and reliability of compressors, dryers and other system components.

KM PA/B - Process Analyzer (Basic)

For monitoring temperature and pressure before/after individual system components and at points of use.

KM PA/A - Process Analyzer (Advanced)

Measures and evaluates pressure, pressure dew point, temperature and humidity for analysis of compressed air quality.

KM FA/P - Flow Analyzer (Pressure)

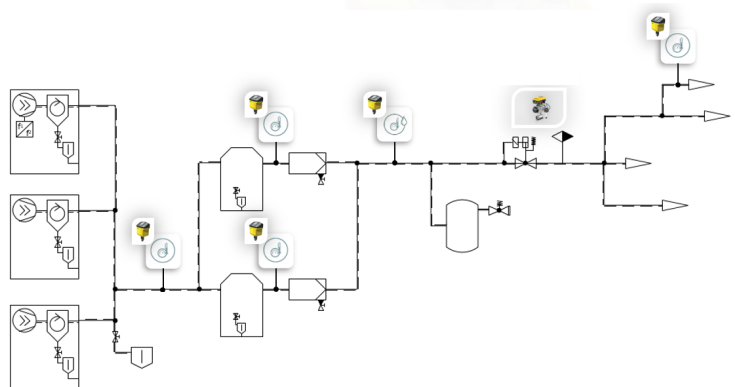
Measures flow rate, velocity, cumulative flow, pressure, and temperature. Ideal for monitoring main supply directly downstream from the compressor (prior to air treatment).

KM FA/T - Flow Analyzer (Thermal)

Measures flow rate, velocity, cumulative flow, pressure and temperature of main supply (after drying and filtration) or consumption for a specific production line or process.

KM EA/A - Energy Analyzer (Advanced)

A multi-functional power analyzer that monitors the quality and reliability of the electrical supply, including voltage, current, frequency, power, and harmonic waves.



KM AA/A

Measured values:

- Atmospheric pressure
- Temperature
- Relative humidity



KM FA/P

Measured values:

- Flow rate
- Velocity
- Pressure
- Temperature



KM PA/B

Measured values:

- Pressure
- Temperature



KM FA/T

Measured values:

- Flow rate
- Velocity
- Pressure
- Temperature
- Leakage flow



KM PA/A

Measured values:

- Pressure dew point
- Pressure
- Temperature
- Relative humidity



KM EA/A

Measured values:

- Power
- Voltage
- Current
- Voltage errors
- Harmonics

| KAESER | | | | KM EA/A | | |
|-----------|-------------|-------|-------------------|---------|---|---|
| Übersicht | | | | | | |
| | Spannung | Strom | Leistung | PF1 | | |
| L1 | 223V | 0.03A | 0.00kW | { 1.00 | | |
| L2 | 223V | 0.03A | 0.00kW | { 1.00 | | |
| L3 | 223V | 0.03A | 0.00kW | { 1.00 | | |
| | 50.06Hz | | 0.00kW | { 1.00 | | |
| | Wirkenergie | | Blindenergie ind. | | | |
| L1..L3 | 0.0kWh | | 0.0kvarh | | | |
| Menü | | | | | | |
| | 1 | 2 | 3 | 4 | 5 | 6 |

KAESER
COMPRESSORS®

Built for a lifetime.



ISO 9001:2015
ISO 14001:2015
ISO 45001:2018
ISO 50001:2018



www.tuv.com
ID 9108616471



Kaeser Compressors, Inc.
511 Sigma Drive
Fredericksburg, VA 22408 USA
Telephone: 540-898-5500
Toll Free: 800-777-7873
info.usa@kaeser.com

Kaeser Compressors Canada Inc.
3760 La Vérendrye Street
Boisbriand, QC J7H 1R5 CANADA
Telephone: (450) 971-1414
Toll free: (800) 477-1416
info.canada@kaeser.com

Kaeser Compresores de México S de RL de CV
Calle 2 #123
Parque Industrial Jurídica
76100 Querétaro, Qro.
Telephone: 01 (442) 218 64 48
sales.mexico@kaeser.com

Kaeser Compresores de Guatemala y Cia. Ltda.
3a calle 6-51, zona 13
Colonia Pamplona
01013-Guatemala City
Telephone: +502 2412-6000
info.guatemala@kaeser.com