

Air Treatment

Single Tower Desiccant Dryer

**Standard Features:**

- Moisture indicator - signals the need to replace desiccant
- Re-usable silica gel desiccant
- Easy to read change-out indicator
- Rugged design
- Wide range of sizes

Applications:

- Industrial paint booths
- Body shops
- Point of use
- Intermittent air uses

Dry air

Kaeser's KDF series single tower desiccant air dryer significantly lowers compressed air dew points. With a simple flow-through design, the dryer economically produces atmospheric dew points as low as -45°F.

The KDF's modular design allows the user to easily install the required pre-filter. The KDF is ideally suited for point of use applications needing small volumes of extremely dry air.

Economical

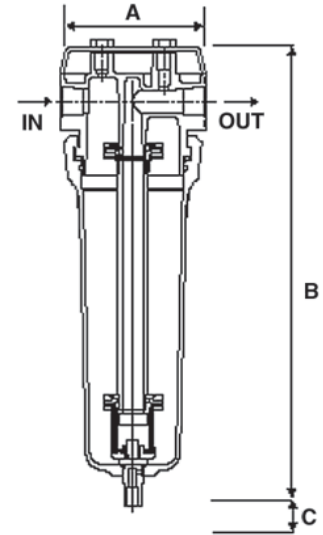
The KDF is a very affordable and economical compressed air dryer that requires no electricity. The silica gel desiccant can be reused which reduces operating costs. Simply bake the silica gel in an oven for the prescribed time and temperature to regenerate the desiccant.

Operation

Compressed air enters the desiccant dryer housing and flows downward through the bed of silica gel desiccant. As the desiccant bed becomes saturated, the color of the desiccant indicator changes from blue to white. In the bottom of the housing, the compressed air flows upwards through an integrated dust filter and into an outlet tube where it is directed to the discharge port of the dryer housing.

Technical Specifications

Model	Flow @ 100 psig (scfm)	In/Out Connection (in.)	scf @ 100°F inlet temp.	Dimensions W x D x H (in.)	Weight (lbs.)	KOR Coalescing Prefilter	Replacement Desiccant Kit
KDF 1	5	1/4	2500	4¼ x 125/8	13	KOR 20	KSG1
KDF 2	10		5000	4¼ x 12	15		KSG2
KDF 3	20	1/2	10,000	4¼ x 20¼	19.5		KSG3
KDF 4	30		15,000	4¼ x 28	22.5	KOR 35	KSG4

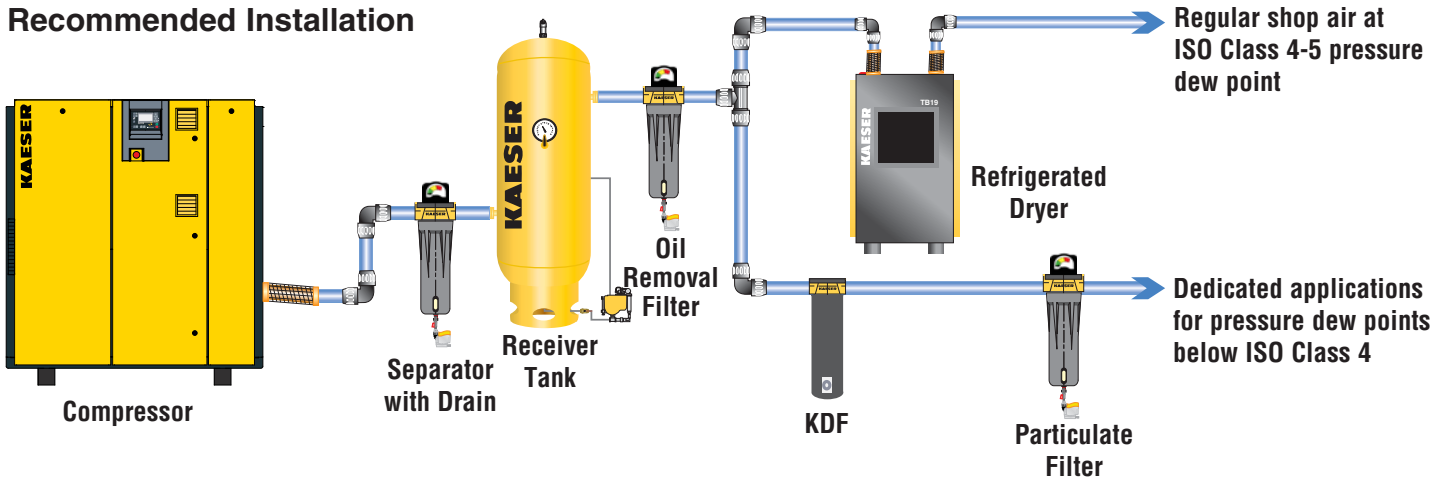


MOP: 200 psig; **MOT:** 125°F; **Outlet Pressure Dew point:** -40°F. Single tower desiccant dryer optional coalescing prefilter is supplied with modular connectors and a mounting bracket. Each replacement desiccant kit contains two complete changes of desiccant.

NOTES: *Rated life at stated flow: 8 Hr., 20 Min.

**C: Minimum bowl removal clearance is 3 inches for all models.

Recommended Installation



The KDF should be installed after a receiver tank. The KOR prefilter is required to protect the KDF from bulk liquid and contaminants increasing the life of the dryer's desiccant bed.

NOTE: Required condensate management system not shown.

Specifications are subject to change without notice.



Built for a lifetime.™

www.kaeser.com

Kaeser Compressors, Inc.
511 Sigma Drive
Fredericksburg, VA 22408 USA
Telephone: 540-898-5500
Toll Free: 800-777-7873
info.usa@kaeser.com

Kaeser Compressors Canada Inc.
3760 La Verendrye Street
Boisbriand, QC J7H 1R5 CANADA
Telephone: (450) 971-1414
Toll free: (800) 477-1416
info.canada@kaeser.com

Kaeser Compresores de México S de RL de CV
Calle 2 #123
Parque Industrial Jurídica
76100 Querétaro, Qro.
Telephone: 01 (442) 218 64 48
sales.mexico@kaeser.com

Kaeser Compresores de Guatemala y Cia. Ltda.
Calz. Atanasio Tzul 21-00, zona 12
El Cortijo II, Bodega 501
01012-Guatemala City
Telephone: +502 2412-6000
info.guatemala@kaeser.com

Certified Management Systems

