

## Electronic Demand Condensate Drain Traps

# Eco-Drain Series



### Remove Condensate

Condensate is a natural by-product of compressed air. Mostly water, it also contains oils, dirt, and other material. If left in your air system, it will contaminate products and cause equipment malfunction. Kaeser Eco-Drains automatically remove condensate from aftercoolers, filters, dryers, tanks, and air lines. Unlike manual valves and timed solenoids, Eco-Drains ensure that condensate does not build up in your system. They sense when liquid is present and automatically discharge it; they only open when condensate is present, ensuring costly compressed air is not lost.

### Accurate Electronic Control

A capacitance sensor monitors condensate levels in the drain and

activates the Eco-Drain's solenoid, eliminating compressed air losses. Eco-Drains feature LEDs that indicate power, valve and alarm status, as well as a test button to manually check drain operation. Dry contacts enable remote monitoring and alarm functions.

### Reliable Components

Eco-Drains' rugged cast aluminum housing and superior diaphragm valve technology ensure many years of reliable service. Other drains are configured with valves placed in direct contact with contaminated condensate, which clogs control lines and disrupts solenoid movement. In Eco-Drains, a patented pilot air control design separates the working components from the condensate chamber, providing worry free operation and high reliability.

### Series Features:

- Capacitance sensor activates the solenoid only when liquid is present
- Only clean compressed air is used to control the valve
- Large discharge prevents emulsification
- Automatically attempts to clear discharge line blockages
- LED indicators for power on, valve operation, and blockage alarm (except Eco-Drain 30 model)
- Function test button
- 6-foot power cord with 3-prong plug
- Dry contacts for central alarm signaling are standard on most models
- 30, 31, and 32 models have quick change maintenance modules

# Technical Specifications

Model	Maximum Capacity (cfm)			Pressure Min / Max (psig)	Temp. Min / Max (°F)	Inlet Connection Size NPT (in.)	Condensate Discharge Size (in.)	Weight (lb.)
	Compressor	Dryer	Filter*					
Eco-Drain 30	100	200	1000	12 / 230	34 / 140	1/2	1/4	1.8
Eco-Drain 31	225	450	2250					2.2
Eco-Drain 32	500	1000	5000					3.6
Eco-Drain 13	1200	2400	12,000			2 x 1/2	1/2	4.4
Eco-Drain 14	3500	7000	35,000			3 x 3/4		6.4

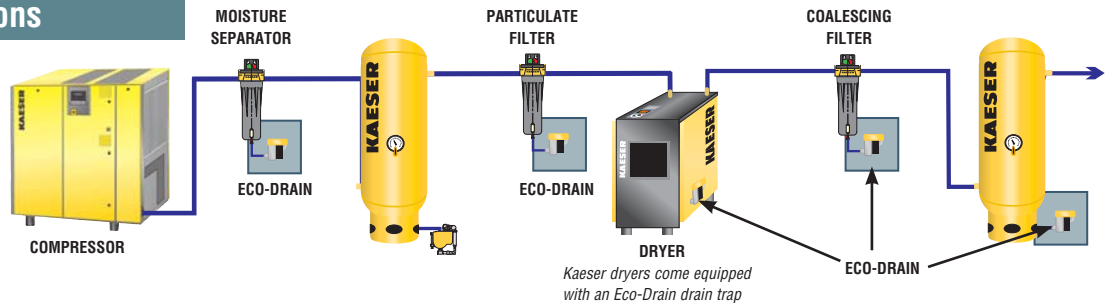
Electrical supply: 115V / 1 Ph / 60 Hz

\* downstream of the dryer

NOTE: High pressure versions available: Eco-Drain 12 for 913 psig MAWP and Eco-Drain 13 for 362 psig MAWP

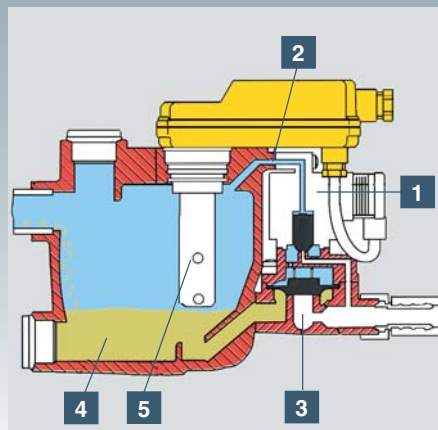
Specifications are subject to change without notice.

## Eco-Drain Locations



## Operation

A solenoid valve (1) allows clean compressed air (2) to pass and force the diaphragm valve (3) to the closed position. When the collection chamber (4) fills with condensate to a maximum level, the capacitance sensor (5) signals to energize the solenoid valve, which allows the air above the diaphragm to vent. Condensate is released from the collection chamber and the diaphragm valve closes before air is lost.



## Easy Maintenance

Maintenance for Eco-Drains is quick and simple: just replace the snap-in service module and discard the old one. Maintenance for Eco-Drains 13 and 14 consists of replacing wear items. All replaceable items are contained in a simple kit for each drain model.



Eco-Drain 30, 31, and 32

# KAESER COMPRESSORS

*Built for a lifetime.™*



[www.kaeser.com](http://www.kaeser.com)

**Kaeser Compressors, Inc.**  
511 Sigma Drive  
Fredericksburg, VA 22408 USA  
Telephone: 540-898-5500  
Toll Free: 800-777-7873  
info.usa@kaeser.com

**Kaeser Compressors Canada Inc.**  
3760 La Verendrye Street  
Boisbriand, QC J7H 1R5 CANADA  
Telephone: (450) 971-1414  
Toll free: (800) 477-1416  
info.canada@kaeser.com

**Kaeser Compresores de México S de RL de CV**  
Calle 2 #123  
Parque Industrial Jurídica  
76100 Querétaro, Qro.  
Telephone: 01 (442) 218 64 48  
sales.mexico@kaeser.com

**Kaeser Compresores de Guatemala y Cia. Ltda.**  
Calz. Atanasio Tzul 21-00, zona 12  
El Cortijo II, Bodega 501  
01012-Guatemala City  
Telephone: +502 2412-6000  
info.guatemala@kaeser.com

Certified Management Systems

